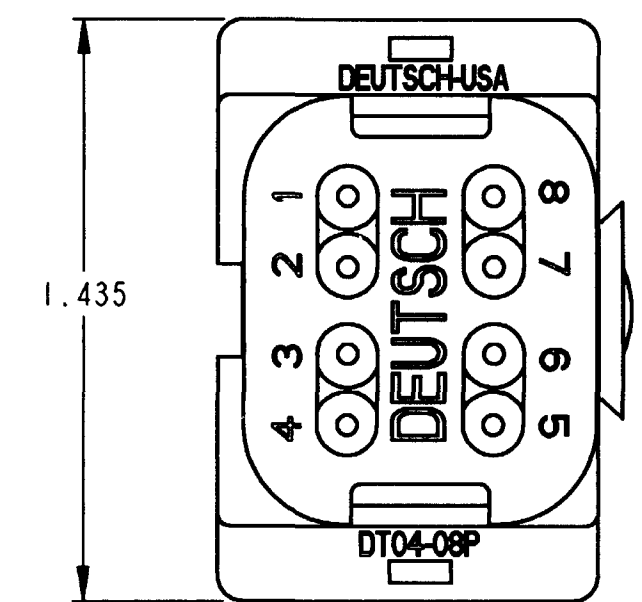
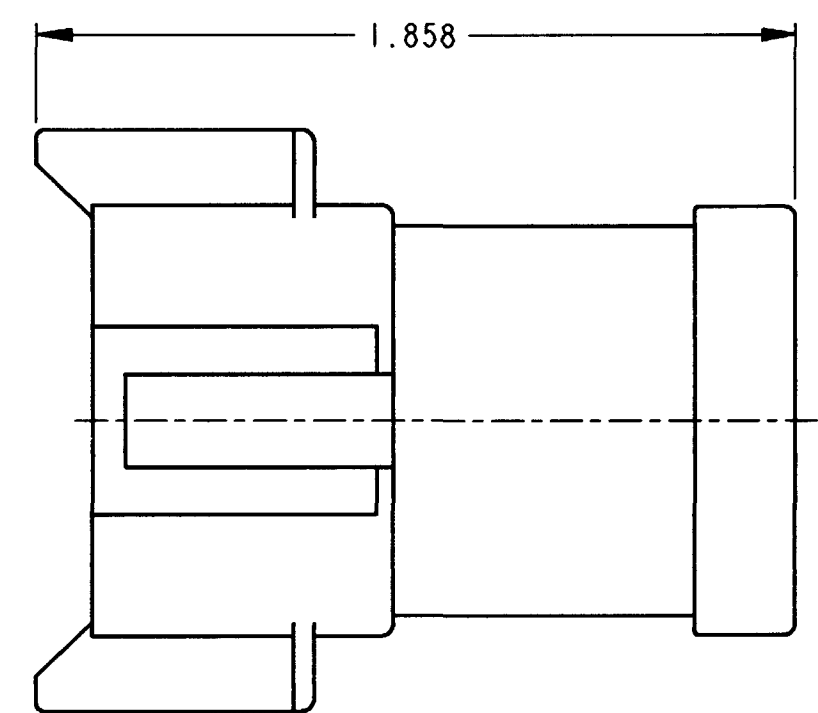
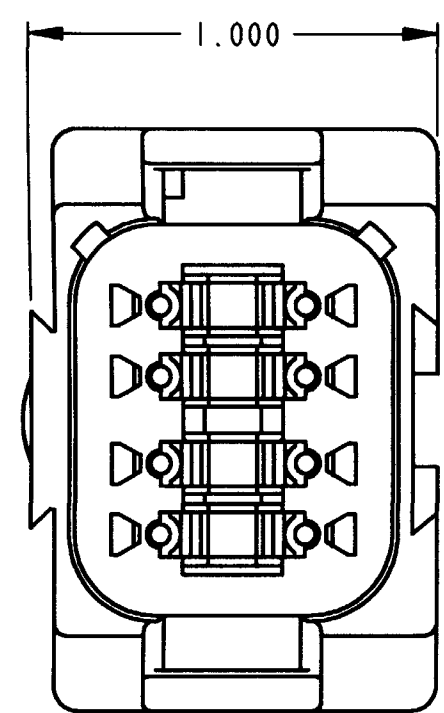


REV A	DT04-08PB-E003	REVISIONS		
SYM	DESCRIPTION	DATE	APPROVED	
NC	NEW RELEASE PER E.O. A09342	9/6/90	J.A.	
A	REVISED/REDRAWN PER E.O. P17558	1-9-02	RDR	



CONTACT SIZE	MIN. INSUL. O.D.	MAX. INSUL. O.D.	WIRE RANGE [mm ²] REF ONLY ³
16	.088 [2.24]	.145 [3.68]	14-20 AWG [2.0 - 0.5]

4. THIS RECEPTACLE MATES WITH THE DT06-08SB-**** PLUG (**** = ALL MODIFICATIONS). CONSULT FACTORY FOR MODIFICATIONS.

³ FOR CONTACTS AND WIRE PERFORMANCE AND APPLICATION CHARACTERISTICS, SEE ENVELOPE DRAWING 0425-015-0000 AND 0425-017-0000.

2. DIMENSIONS ARE ±.025[0.64] UNLESS OTHERWISE SPECIFIED.

NOTES: 1. DIMENSIONS ARE IN INCHES [MILLIMETERS].

SIGNATURE & DATE	
DR	X. SANCHEZ 06OCT01
CHK	<i>[Signature]</i> 1/3/02
PE	<i>[Signature]</i> 1/3/02
APPD	<i>[Signature]</i> 1-3-02
SCALE	NONE
WT	—

**8 WAY RECEPTACLE
-E003 MOD.
COLOR: BLACK
DT SERIES**

ENVELOPE

CP	MATL. CODE
The Deutsch Company DEUTSCH I.P.D. 3850 INDUSTRIAL AVE. HEMET, CALIF. 92545	
B	DT04-08PB-E003
DWG SIZE	CODE 11139 SHEET OF